



MultiMount™

Pan and Tilt Speaker Mount

The MM-120 Speaker Mount is a very sturdy and adjustable speaker mount that is safe and exceptionally easy to use when installing large format loudspeakers.

It accommodates up to 120 lb. with greater than a 5:1 design factor. Several key features make this a superior mount design including;

The speaker brackets mounting holes match two standard speaker mounting hole patterns, the 6.88" X 3.44" and the 2.75" X 5" and two VESA mounting hole patterns, the 75 mm X 75mm and the 100 mm X 100 mm.

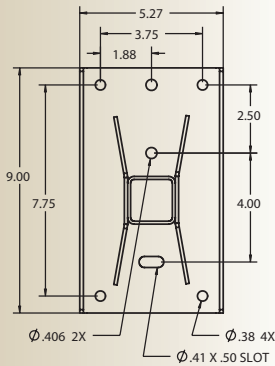
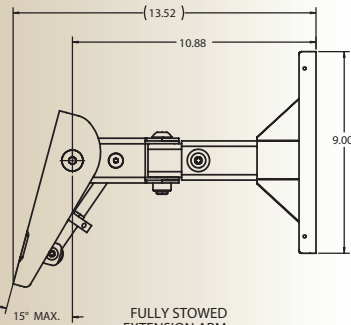
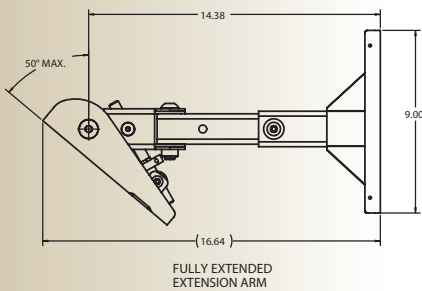
The bracket's pivot housing provides 65 degrees of tilt adjustment and the screw-drive thumb-wheel adjustment makes tilting speakers

very stable. The pivot housing also provides a full 180 degrees of pan rotation, usually more than the installed speaker will allow or need. A clutch style lock holds it in position.

The wall bracket accommodates stud mounting with two centrally located mounting/alignment holes and a slot that allows for the final plumb adjustment. Four outer holes allow it to be secured to other structural surfaces .

The speaker mount's extension tube lets installers insert the tube into the wall bracket in the extended or stowed position, thus providing a third critical adjustment while accommodating all the weight of the speaker while the tube is being bolted down.

MultiMount-120 with 7" Adjustable Arm



SPECIFICATIONS:

Material:	Structural Alloy Steel
Finish:	Powder Coat
Color:	Black
Tilt rotation:	65° max
Swivel rotation:	180° max.
Working load limit:	120 lb. (45 Kg) max
Design factor:	5:1 ratio
Net weight:	11 lb. / 5 Kg each
Shipping Weight:	13 lb. / 5.9 Kg each
Pack Count:	1/carton



Screw-Drive Tilt Wheel

COMPONENTS:

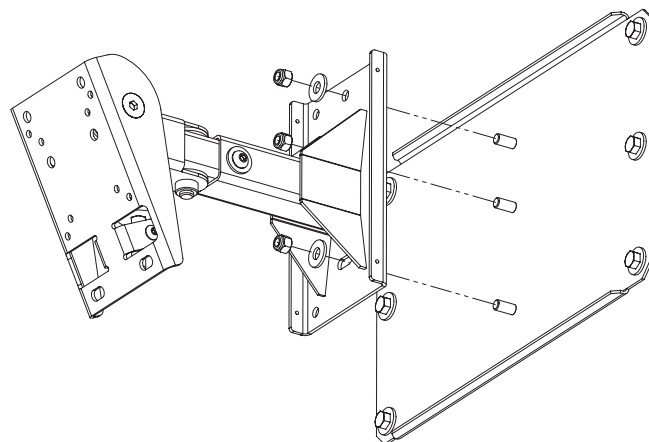
- 1 pc. Wall Mount Assembly
- 1 pc. Tube Extension
- 1 pc. Speaker Mount Assembly
- 1 pc. Hardware Kit

MOUNTING HOLE PATTERNS

- 3.44" x 6.88" - 88 x 175mm
- 2.75" x 5" - 70 x 127mm
- 3.93" x 3.93" - 100 x 100mm
- 2.93" x 2.93" - 75 x 75mm

OPTIONAL ACCESSORIES:

- WP-16 Wall stud adapter
- Safety Cable kits (See data sheets)



MM-120 WITH STUD PLATE WP-16



ALLEN PRODUCTS COMPANY, INC.
 1635 E. Burnett Street
 Signal Hill, CA 90755 USA
 PH: 562.424.1100 FX: 562.424.3520

www.allenproducts.com