



One-Way-Array™

Suspension and Aiming for Single Cabinets

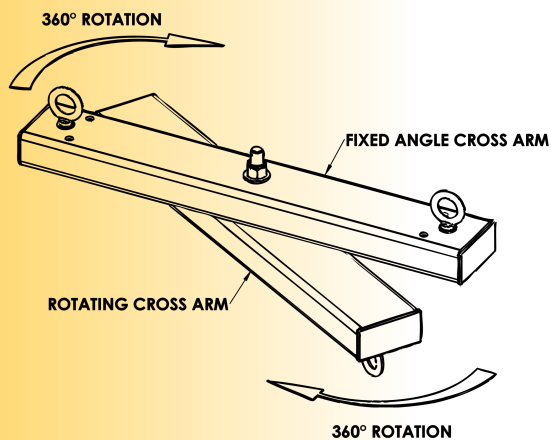
The One-Way-Array™ is an easy to use load-rated and of the shelf loudspeaker rigging and aiming system for single loudspeakers. It is ideal for aiming sound in left and right of house configurations and provides side & back fill coverage where speakers cannot be wall mounted.

This gives the installer precise horizontal aiming of sound.

For precise vertical tilting, select from a variety of U-Brackets or choose the Steerables® adjustable tilt cable kit system. Load rated shackles and wire rope are included in this kit.

The top section of the One-Way-Array rigs from two overhead suspension points. The lower section supports the loudspeaker and rotates relative to the upper section, up to 360° horizontally.

Typical venues include theatres, churches, school auditoriums, gymnasiums, retail, night clubs, sport arenas, meeting halls and theme park attractions.



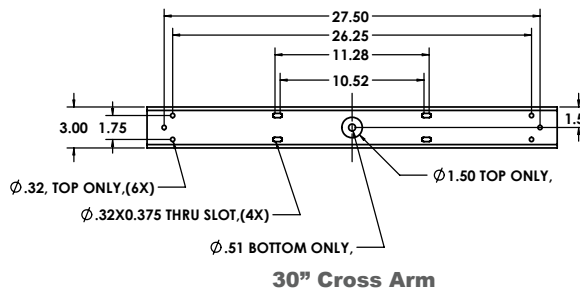
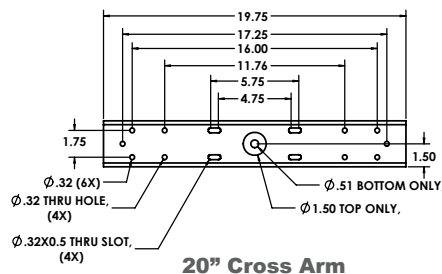
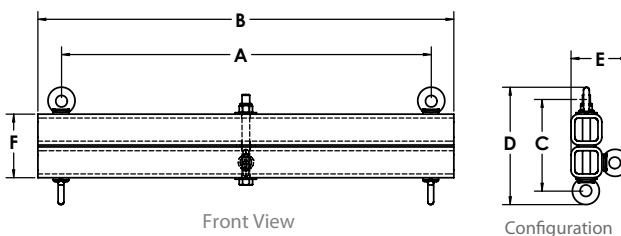
SPECIFICATIONS:

- Material: Alloy structural steel tube
- Finish: Powder coat paint
- Color: Black
- Working load limit: 300 lbs/136 Kg.
- Design factor: 10:1 ratio
- Pack count: 1/carton

OPTIONAL ACCESSORIES:

1. SteerablesTilt Cable Kit controls tilt angle
2. Adjustable U-Brackets
3. Beam Clamps, Swivel Rings
4. Eyebolts, Shackles and Turnbuckles
5. Wire Rope components and supplies

DIMENSIONS

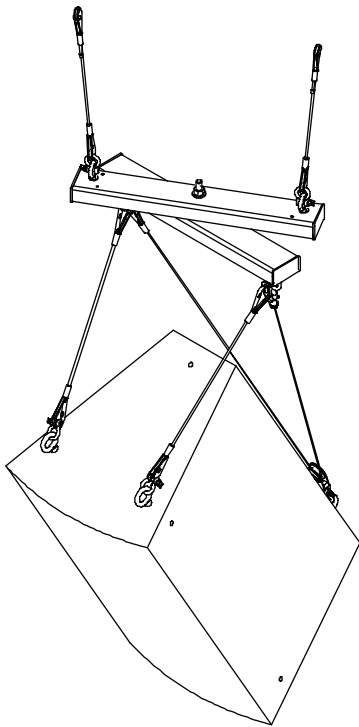


ONE-WAY-ARRAY DIMENSION TABLE

Part Number	A	B	C	D	E
SAS-1WA-20	18.0"	20.0"	5.0"	5.25"	3.0"
SAS-1WA-30	28.0"	30.0"	5.0"	5.25"	3.0"
SAS-1WA-40	38.0"	40.0"	5.0"	5.25"	3.0"

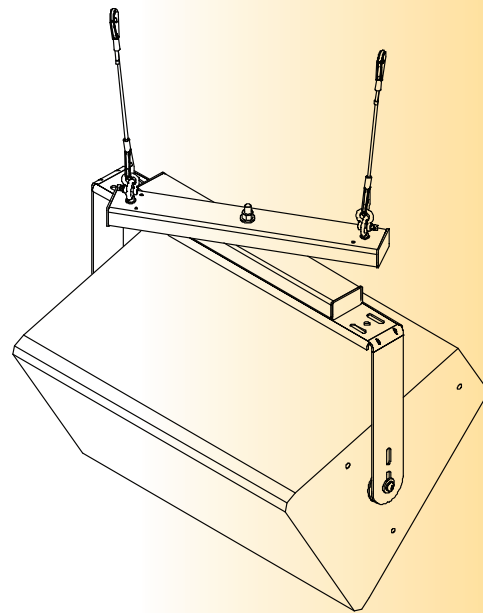
One-Way-Array™

Suspension and Aiming for Single Cabinets



ONE-WAY-ARRAY VERTICAL ORIENTATION

One-Way-Array's standard configuration comes with eyebolts that secure to the upper and lower rotating arms. The entire assembly suspends from the upper eyebolts and the Steerables Tilt Cable Kit attaches to the lower eyebolts. Cable kits come in five different lengths to accommodate different down angles. The selected loudspeaker suspends from the cable kit and can be adjusted into any down angle.



ONE-WAY-ARRAY WITH U-BRACKET

One-Way-Array's standard configuration comes with pre set holes in the lower rotating arm to accommodate standard Allen adjustable U-Brackets. To install, simply remove the center bolt, attach the selected U-Bracket using included hardware then reassemble the center bolt. Attach the loudspeaker in between the U-Bracket and tilt into position.



A division of:
ADAPTIVE TECHNOLOGIES GROUP
1637 E. Burnett Street
Signal Hill, CA 90755 USA
PH: 562.424.2200 FX: 562.424.1127

www.atmflyware.com

WARNING: Mounting and/or suspension loudspeakers requires experienced professionals. Improperly installed loudspeakers can result in property damage, personal injury and/or liability to the installing contractor.