



SLS US1290T Loudspeaker shown

Front View



SLS US1290T Loudspeaker shown

Back View

Steerables®

Adjustable Tilt Cable Kit

Steerables® Tilt Cable Kits are a general purpose, time saving and complete loudspeaker suspension and aiming solution. This versatile aircraft cable and pulley design allows installers to secure loudspeakers from an overhead grid structure or other suspension device, then quickly and precisely tilt them into position using the adjustable pull back feature (see Wall and ceiling Steerables®, GridLink™ data sheets).

The Steerables® Tilt Cable Kit provides a simple method of suspending and aiming loudspeakers, offering unprecedented ease of installation and aiming. Loudspeakers and other objects can be suspended to the top of the cabinet to achieve just slight down tilt

angles or be suspended from the back of the cabinet to achieve a steeper down tilt angle (See illustrations below).

The clutch lock and pulley mechanisms are at the center of this design which provides the pull back cable with an infinite range of locking positions (tilt angles). Two fixed cables provide all of the necessary structural support while the pull back cable sets the tilt angle.

Standard and custom length fixed cables are offered for a wide variety of applications and they come equipped with all the necessary components for the installation. Choose from the following standard off-the-shelf kits listed below:

STANDARD TILT CABLE KIT MODELS:

Part #:	Fixed cable length
TCK-008	8.25" Fixed cable kit
TCK-010	10" Fixed cable kit
TCK-014	14" Fixed cable kit
TCK-018	18" Fixed cable kit
TCK-022	22" Fixed cable kit

To select the proper length tilt cable kit yourself, use the pattern maker and cable kit selector templates found on our website address listed below.

PACKAGE CONTENTS & WORKING LOAD:

Qty.	Description	WLL (lbs/kg)
2 pcs.	3/16" dia. Fixed cable	420/191
1 pc.	1/8" dia. Pull back cable	200/91
5 pcs.	Anchor shackles	600/272
1 pc.	Clutch lock assembly	220/100*
1 pc.	Pulley assembly	210/95
5 pcs.	Cable tie wrap	N/A

*Clutch lock design factor = 5:1

** 4-Point suspension requires additional pair of fixed length cables

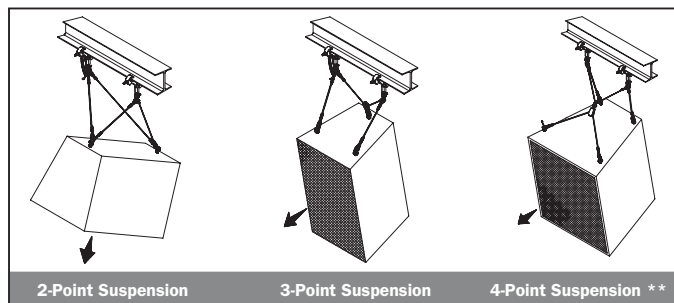
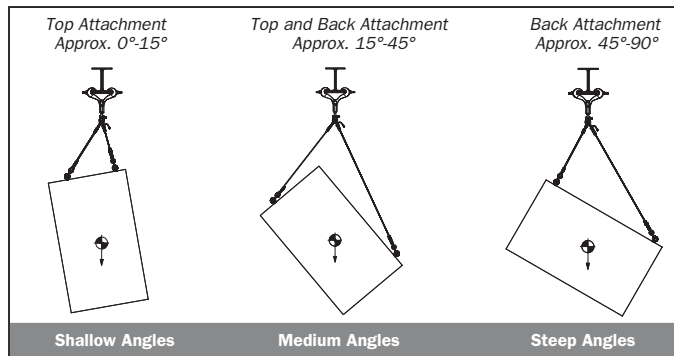
WLL = Working Load Limit

STANDARD FEATURES:

- Infinite tilt and locking adjustment
- Available in black or silver finish
- Standard and custom assemblies
- Close factory cable length tolerances

SPECIFICATIONS:

- Materials:** See "Package Contents"
- Color:** Black or silver
- Design factor:** 10:1 ratio*
- Pack count:** 1 set/package



A division of:
ADAPTIVE TECHNOLOGIES GROUP

1637 E. Burnett Street
Signal Hill, CA 90755 USA
PH: 562.424.2200 FX: 562.424.1127

www.atmflyware.com

WARNING: Mounting and/or suspension of audio and video equipment requires experienced professionals. Improperly installed equipment can result in property damage, personal injury and/or liability to the installing contractor.



ALWAYS USE SAFETY CABLES.