



# Two-Way-Array™

## Suspension and Aiming for Two Cabinets

The Two-Way-Array™ is an easy to fly, off the shelf loudspeaker aiming and suspension system. It forms simple two speaker clusters for small front-of-house applications and forms, left and right front-of-house clusters for larger venues.

The Two-Way-Array™ also serves as an excellent way to direct sound toward two levels such as at a balcony with one speaker and the floor level with the other speaker. Multiple vertical tiers of Two-Way-Array™ can accomplish the same for larger venues.

Ideal applications include theatres, churches, school auditoriums, gymnasiums and theme parks.

Multiple hole placements allow for many combinations of dead hangs, down tilts and pan angles, depending on the specific sound coverage requirements for very precise aiming of sound.

Two-Way-Arrays™ can be coupled together horizontally forming wider arrays for more sound coverage. An optional pivoting coupler, the Gridlink™ connector, allows multiple Two-Way-Arrays™ to be coupled together.

The Two-Way-Array™ Suspension System can be outfitted with down tilt devices such as our fixed width U-Series mounts and Steerables™ Tilt Cable Kits. These devices precisely and independently adjust the speaker's tilt angle without affecting the pan or tilt angles of other speaker cabinets in the cluster. This means no chasing of angles.

The Two-Way-Array™ Suspension System is produced from structural steel tubing and uses domestically load-rated suspension hardware to assure a strong and reliable installation.

### SPECIFICATIONS:

Material:	Structural steel alloy tube
Finish:	Powder coat
Color:	Black and off-white
Working load limit:	See table
Design factor:	10:1 ratio
Pack count:	1/carton

### STANDARD FEATURES:

- Modular approach to 2 speaker arrays
- Independent pan and tilt adjustment
- Expandable horizontally and vertically
- Fast predictable set up and aiming
- Ideal for permanent and live sound applications
- Off the shelf, ready-to-ship to the job site
- Load-rated structural steel tubing and fittings
- CG dependent, no chasing of angles

### OPTIONAL ACCESSORIES:

1. Steerables Tilt Cable system controls tilt angle
2. Fixed width, U-Bracket controls tilt angle
3. Expands horizontally with [Gridlink™ Connector](#)
4. Add-on suspension [eyebolt kit](#)
5. Bridle and suspension cables (standard and custom)

MODEL #	LENGTH (inch/mm)	WEIGHT (lb/Kg.)	BEAM WWL (lb/Kg.)
<a href="#">SAS-2WA-48</a>	47.75/1213	34.00/15.5	724/329
<a href="#">SAS-2WA-66</a>	65.75/1670	40.00/18.2	418/199
<a href="#">SAS-2WA-86</a>	85.75"/2178	52.00/26.6	266/121

### PACKAGE CONTENTS:

- 1 pc. One Suspension Beam
- 2 pcs. Cross Arms
- 1 pc. Hardware Kit
- 1 set 1/2" Load-rated eyebolts and eye nuts

Cross Arm Working Load Limit: 300 lb/136 Kg.

Two-Way-Array max. Working Load Limit equals 600 lb/272 Kg.

A division of:

ADAPTIVE TECHNOLOGIES GROUP

1635 E. Burnett Street

Signal Hill, CA 90755 USA

PH: 562.424.1100 FX: 562.424.3520

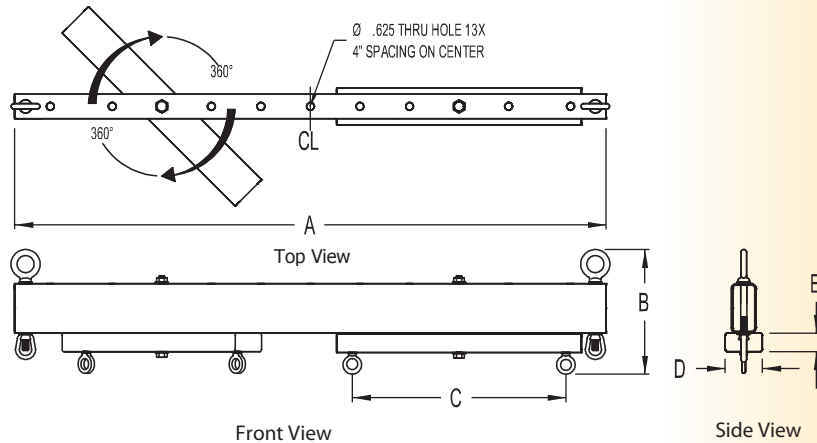
**ATN**  
**FLY-WARE**

www.atmflyware.com

# Two-Way-Array™

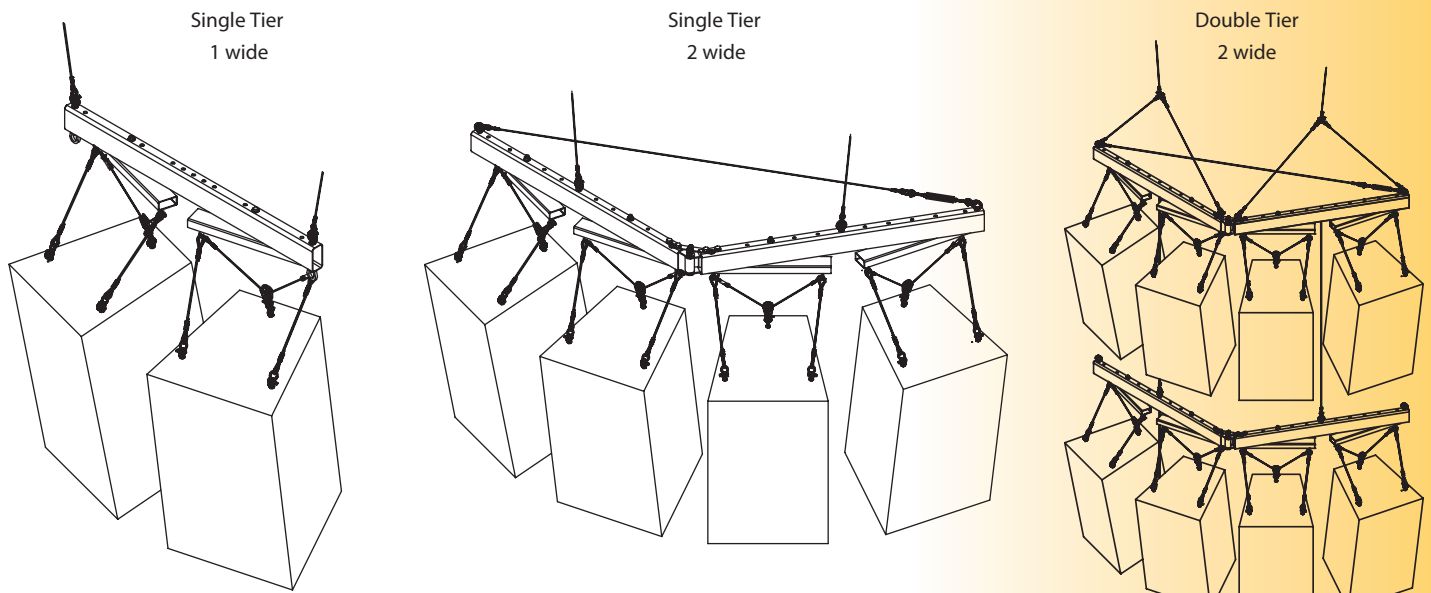
Suspension and Aiming for Two Cabinets

DIMENSIONS:



MODEL #:	A	B	C	D	E
SAS-2WA-48	47.75"/1213mm	9.26"/235mm	17.25"/438mm	3.00"/76mm	1.50"/38mm
SAS-2WA-66	65.75"/1670mm	9.26"/235mm	17.25"/438mm	3.00"/76mm	1.50"/38mm
SAS-2WA-86	85.75"/2178mm	9.26"/235mm	17.25"/438mm	3.00"/76mm	1.50"/38mm

TYPICAL CONFIGURATIONS:



• In all cases above, each individual cabinet may be adjusted horizontally or vertically without affecting the angle of the other cabinets



A division of:  
**ADAPTIVE TECHNOLOGIES GROUP**  
 1637 E. Burnett Street  
 Signal Hill, CA 90755 USA  
 PH: 562.424.2200 FX: 562.424.1127

[www.atmflyware.com](http://www.atmflyware.com)

WARNING: Mounting and/or suspension loudspeakers requires experienced professionals. Improperly installed loudspeakers can result in property damage, personal injury and/or liability to the installing contractor.



MADE IN THE USA

ALWAYS USE SAFETY CABLES.