

VIDEO INSTALLATION DESIGN GUIDELINE

1 CONTACT INFORMATION

Tech Advisor: _____ Docket#: _____ Quote#: _____
 Date: _____ Project Name: _____
 Company: _____ Contact: _____
 Email: _____ Tel: _____ Fax: _____
 Bid Date: _____ Install Date: _____

Fax manufacturer's data sheets and/or drawings with this form to **562-424-3520**. A docket number will be assigned and faxed confirming receipt of your request. Allow a few days for your project to be reviewed. If you need assistance in completing this form, please call **562-424-1100 (Tel) PST** and ask for technical support.

Check-mark documents supplied:

Sketch Photo Drawing Datasheet

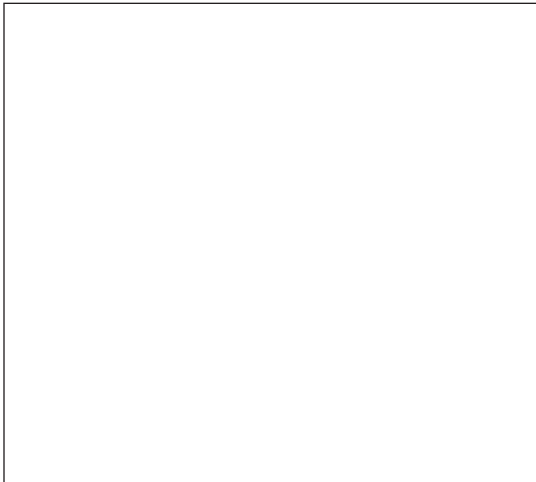
2 MONITOR INFORMATION

a. Monitor Mfr.: _____ Plasma LCD Size: _____ Model: _____ Qty: _____
 b. Monitor Mfr.: _____ Plasma LCD Size: _____ Model: _____ Qty: _____
 c. Monitor Mfr.: _____ Plasma LCD Size: _____ Model: _____ Qty: _____

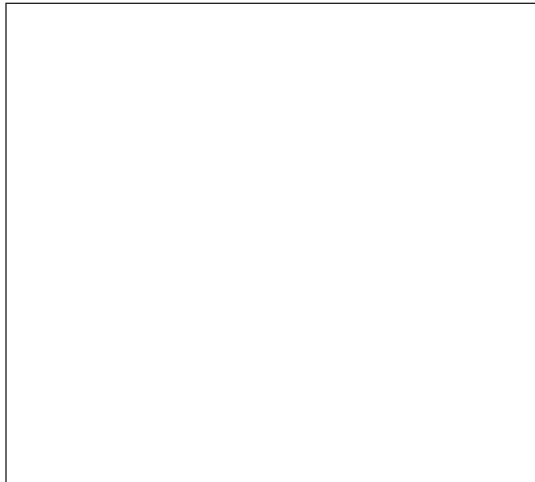
Please provide current video monitor model data sheets and/or drawings from the manufacturer.

Use the following illustration boxes to **fax** your specific application needs. Fax to 562.424.3520.

ILLUSTRATE FRONT VIEW



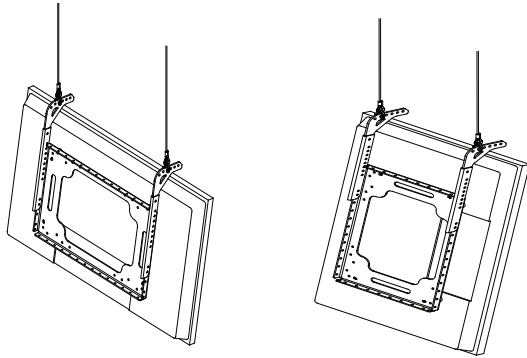
ILLUSTRATE SIDE VIEW





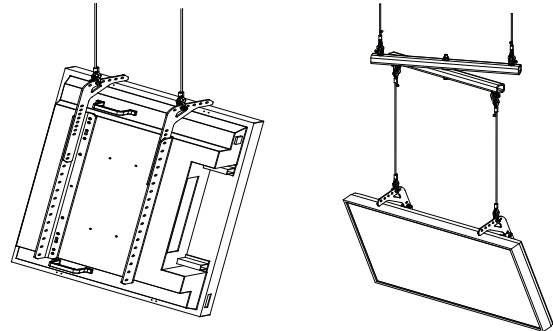
3 SINGLE MONITOR DISPLAYS (Check-mark all that apply)

TEMPORARY RIGGING



Convertible HoverPro (Rental Version)

PERMANENT RIGGING



HoverPro w/Variable Tilt

HoverPro w/Pan and Tilt

APPLICATION DETAILS (Check-mark all that apply)

Monitor Use

- Perm
- Temp
- Indoor
- Outdoor
- Monitor to Ceiling (ft) _____
- Landscape
- Portrait
- Vertical
- Down Tilt (°) _____

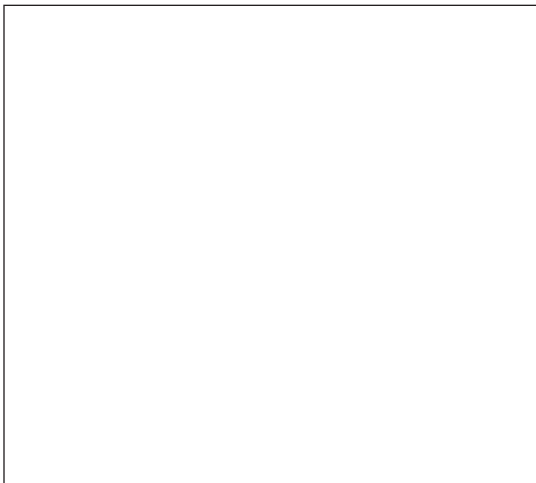
Overhead

- Wood Beam: _____
- Metal Beam: _____
- Truss: _____
- Other: _____
- Spreader: _____
- Motor: _____
- Other (Specify): _____

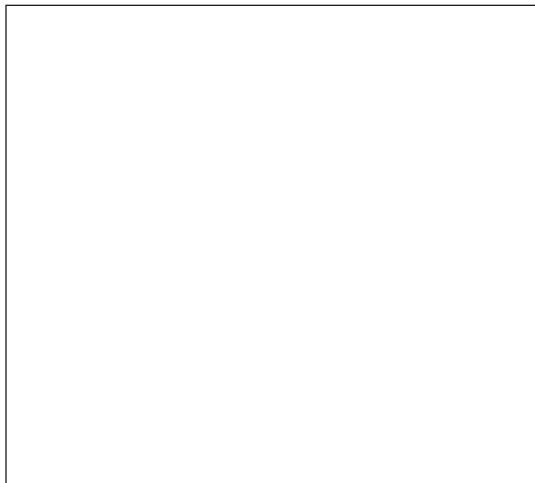
Note: Some video monitors may not be portrait oriented and some may not be tilted more than 20°

Use the following illustration boxes to **fax** your specific application needs. Fax to 562.424.3520.

ILLUSTRATE FRONT VIEW

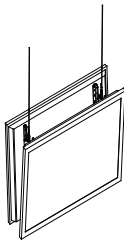


ILLUSTRATE SIDE VIEW

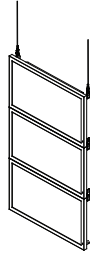


4 CLUSTERED MONITORS (Check-mark all that apply)

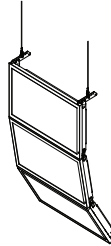
BACK TO BACK



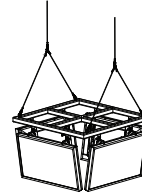
VERTICAL COLUMN



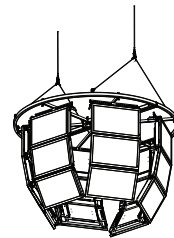
SPHERICAL COLUMN



SQUARE / RECTANGULAR



CIRCULAR / SPHERICAL



APPLICATION DETAILS (Check-mark all that apply)

Monitor Use

- Column(s)
- Circular
- Square
- Rectangle

- Hexagon
- Octagon
- Other

- Perm
- Temp
- Indoor
- Outdoor
- Monitor to Ceiling (ft) _____
- Landscape
- Portrait
- Vertical
- Down Tilt (°)

Overhead

- Wood Beam: _____
- Metal Beam: _____
- Truss: _____
- Other: _____

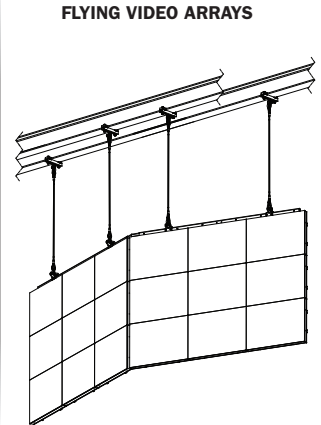
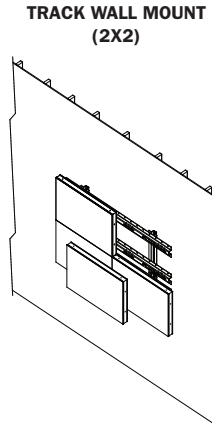
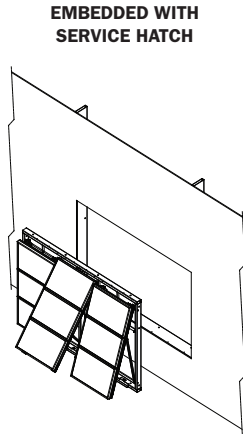
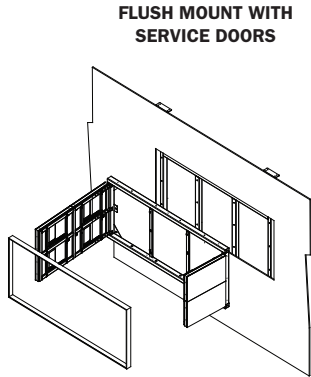
- Spreader: _____
- Motor: _____
- Other (Specify): _____

5 COLUMN DESIGN

	MODEL #	PAN ANGLE	TILT ANGLE	GRID/TRUSS TO CEILING (FT.)
Tier 1				
Tier 2				
Tier 3				
Tier 4				
Tier 5				

(Reference tilt angle from vertical and pan angle from front of audience)

6 VIDEO WALL DISPLAYS



APPLICATION DETAILS (Check-mark all that apply)

Monitor Use

- | | | | |
|--|--|--------------------------------------|--|
| <input type="checkbox"/> Wall Mount | <input type="checkbox"/> Perm | <input type="checkbox"/> Flush Mount | <input type="checkbox"/> Landscape |
| <input type="checkbox"/> Ceiling Mount | <input type="checkbox"/> Temp | <input type="checkbox"/> Embedded | <input type="checkbox"/> Portrait |
| <input type="checkbox"/> Column Mount | <input type="checkbox"/> Indoor | <input type="checkbox"/> Serv Door | <input type="checkbox"/> Vertical |
| <input type="checkbox"/> Suspended | <input type="checkbox"/> Outdoor | <input type="checkbox"/> Serv Hatch | <input type="checkbox"/> Down Tilt (°) |
| <input type="checkbox"/> Clustered | <input type="checkbox"/> Monitor to Ceiling (ft) _____ | <input type="checkbox"/> Suspen. | <input type="checkbox"/> Security |
| | | <input type="checkbox"/> Bezel | |

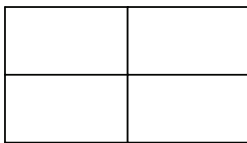
Overhead (Please specify size)

- Wood Beam: _____
- Metal Beam: _____
- Truss: _____
- Other: _____

Pattern (Please specify type)

Pattern: _____Wide X _____High

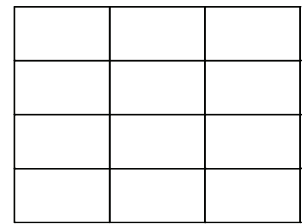
Examples:



2X2 Configuration



3x2 Configuration



3x4 Configuration

Fax or email loudspeaker manufacturer's data sheets with this form to **562-424-3520** or **info@adapttechgroup.com**. A docket number will be assigned and faxed confirming receipt of your request. Allow a few days for your project to be reviewed. If you need assistance in completing this form, please call 562-424-1100 (Tel) PST and ask for technical support.