



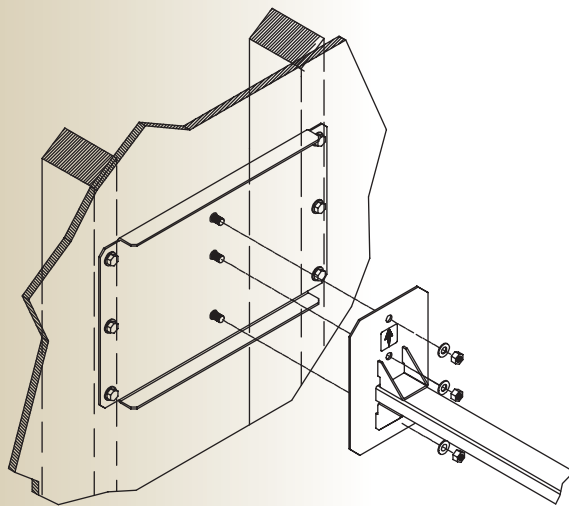
Stud Adapter

For wood and metal wall studs

The wall stud adapter plate is used to bridge two structural studs offering a secure surface mounting for specific Allen Products mounting designs. It bridges both standard 16" wood and metal construction wall stud spacing.

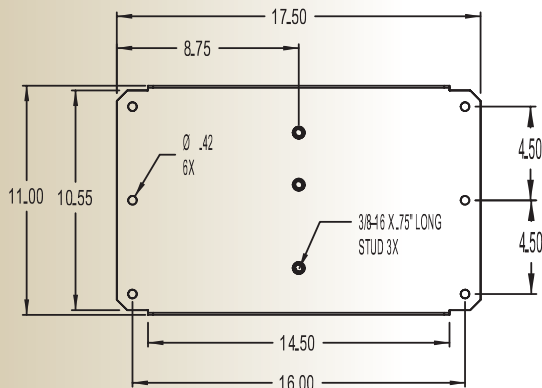
The wall stud adapter plate is made from rugged alloy steel with two horizontal flanges for added rigidity. The assembly has been finished with a baked-on powder coat paint.

The WP-16 may be mounted over dry wall, plaster and other wall materials or even embedded underneath the wall material for a clean appearance.

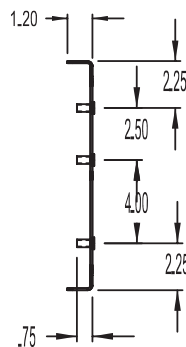


Wall Stud Adapter Plate shown with SAS-100-WM Wall Arm

DIMENSIONS:



Front View



Side View

SPECIFICATIONS:

- Material:** Structural steel alloy
- Finish:** Powder coat
- Color:** Black texture
- Pack count:** 1 unit/carton
- Load rating:** See specifications of mount

Adapts to the following Allen designs:

- SocketMount™
- Steerables® Wall Mount
- MultiMount™ 120
- Wall Arm SAS-100-20

PACKAGE CONTENTS:

- 1 pc. Wall stud adapter plate
- 3 pcs. 3/8" Flat washers
- 3 pcs. 3/8-16 Flange nut

Hardware for mounting to the wall structure is not included.

WARNING: Mounting and/or suspension of audio and video equipment requires experienced professionals. Improperly installed equipment can result in property damage, personal injury and/or liability to the installing contractor.



ALWAYS USE SAFETY CABLES.

www.allenproducts.com



A division of:
ADAPTIVE TECHNOLOGIES GROUP
 1635 E. Burnett Street
 Signal Hill, CA 90755 USA
 PH: 562.424.1100 FX: 562.424.3520