



SLS US1290T Loudspeaker shown

Front View



SLS US1290T Loudspeaker shown

Back View

Steerables®

Loudspeaker Suspension & Aiming System

The Steerables® Ceiling Mount, SAS-100-CM, suspends and aims loudspeakers and other objects weighing up to 100 lbs/45 Kg up close to ceiling and other overhead surfaces.

This design is ideal for applications where cabinets equipped with suspension points need to be suspended and aimed, close but out of reach of the audience. Typical applications include churches, schools, gymnasiums, auditoriums, theme parks, nightclubs, bars and restaurants.

Loudspeaker cabinets equipped with suspension or mounting points can be easily mounted and aimed from ceilings and other structurally secure overhead structures with unprecedented ease of installation and precise adjustments.

The ceiling mount adapts to standard schedule 40, 1¹/₄" diameter pipe so the loudspeaker can be flown and aimed at any depth under the overhead structure.

The Steerables® unique Cross-Arm steering mechanism provides up to 360 degrees of pan control while tilt control is achieved either through the addition of a standard U-Series fixed width U-Bracket or the Steerables® Tilt Cable Kit (see respective data sheets for more details).

This all alloy structural steel assembly is coated with a baked-on textured coat finish. It comes in just two ready-to-mount sections and it will support loads of up to 100 lbs./45.5 Kg. with testing to over ten times its normal working load.

STANDARD FEATURES:

- Suspends and aims flyable and mountable loudspeakers
- Secures to ceiling and other overhead structures using standard schedule 40 1¹/₄" diameter pipe
- More headroom keeps cabinets out of reach
- Unique cross arm steering mechanism offers 360° of pan control
- Significant reductions in installation and planning time
- Adapts to standard ALLEN U-Series mounts and Steerables® Tilt Cable Kits

SPECIFICATIONS:

Material:	Structural steel alloy
Finish:	Powder coat
Colors:	Textured black and off-white
Pan rotation:	360° horizontal swivel max.
Working load limit:	100 lbs./45 kg.
Design factor:	10:1 ratio based on ultimate yield point
Net weight:	11.5 lbs./5.2 Kg.
Shipping weight:	12.5 lbs./5.7 Kg.
Pack count:	1/carton

*Hardware for mounting to the ceiling structure is not included.
Tilt mechanism is ordered separately*

PACKAGE CONTENTS:

- | | |
|--|--------------------|
| 1 pc. Ceiling Plate | 1 pc. Cross Arm |
| 1 pc. 1 ¹ / ₄ " Connector Tube | 1 pc. Hardware Kit |



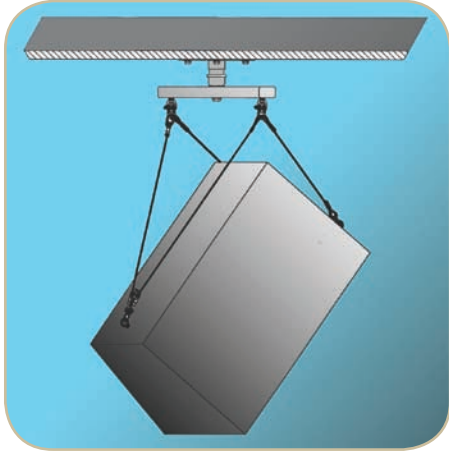
A division of:
ADAPTIVE TECHNOLOGIES GROUP
1635 E. Burnett Street
Signal Hill, CA 90755 USA
PH: 562.424.1100 FX: 562.424.3520

www.allenproducts.com

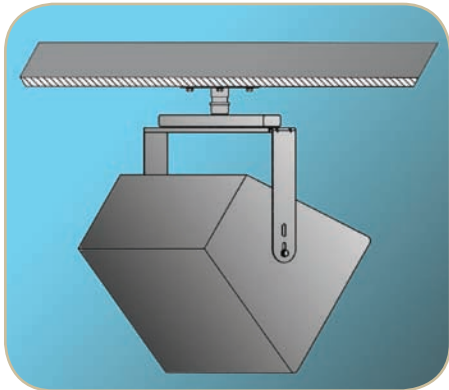
Steerables®

Loudspeaker Suspension & Aiming System

TILTING OPTIONS

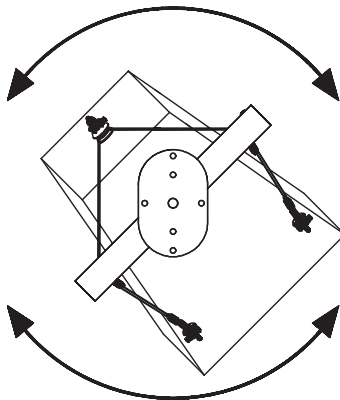


Adjustable Tilt Cable Option



U-Series Tilting Option

Horizontal Steering



Top view

VERTICAL TILT CONTROL STEERABLES® CABLE KIT SYSTEMS:

While the SAS-100-CM wall-mounting arm provides 360° horizontal control, the Steerables® Tilt Cable Kit provides a secure and infinite locking tilt mechanism. The Tilt Cable Kit is available in five (5) standard sizes, as shown below, and custom sizes can be made to order.

- TCK-008 8.25"/209 mm Fixed Cable length
- TCK-010 10.0"/254 mm Fixed Cable length
- TCK-014 14.0"/356 mm Fixed Cable length
- TCK-018 18.0"/457 mm Fixed Cable length
- TCK-022 22.0"/559 mm Fixed Cable length

See Steerables® Tilt Cable Kit data sheet for more detailed information.

VERTICAL TILT CONTROL USING AN ALLEN U-SERIES MOUNT:

Many ALLEN U-Series brackets mount directly to the SAS-100-CM cross arm. Ideal for cabinets that offer mounting points and where both pan and tilt rotations are required.

U-Series models for SAS-100-CM:

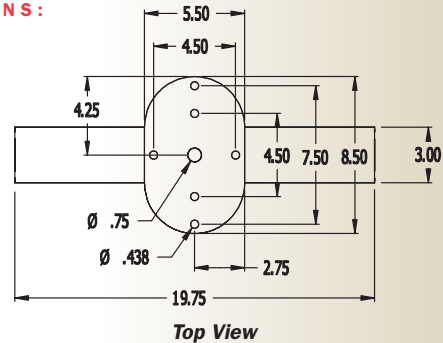
2-0900	2-0980	2-1050	2-1100	2-1200	2-1300	2-1350
2-0950	2-1000	2-1060	2-1150	2-1230	2-1320	

See U-Series data sheet for more detailed information.

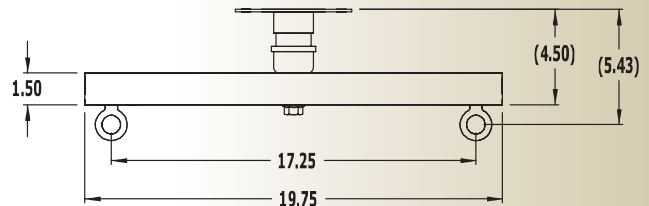
OPTIONAL ACCESSORIES:

- Snap-On cover plate
- Safety cables

DIMENSIONS:



Top View



Front View



A division of:
ADAPTIVE TECHNOLOGIES GROUP
1635 E. Burnett Street
Signal Hill, CA 90755 USA
PH: 562.424.1100 FX: 562.424.3520

www.allenproducts.com

WARNING: Mounting and/or suspension of audio and video equipment requires experienced professionals. Improperly installed equipment can result in property damage, personal injury and/or liability to the installing contractor.



MADE IN THE USA

ALWAYS USE SAFETY CABLES.