



Nexo PS-10 Loudspeaker shown



Stowed flat against a wall

SocketMount™

For Loudspeakers with Pole Sockets

The SocketMount™ serves both as a permanent and temporary wall mounting device for loudspeakers equipped with pole sockets. It provides up to 180° of pan rotation and folds down against the wall when not in use. It's easy-on, easy-off feature allows loudspeakers to relocate to multiple locations such as to other SocketMounts™ and/or tripod stands thus, reducing the number of required loudspeakers and freeing up more floor space.

The SocketMount's unique expandable post assembly fits into the loudspeaker's pole socket and when tightened, locks down over the arm and sets the pan angle. The post assembly fits all standard 1-3/8" (35mm) and 1-1/2" (38mm) diameter sockets.

Three separate arm mounting positions are offered for optimum spacing between the speaker and the wall. When not in use, the arm can be stowed against the wall, reducing both mechanical and visual obstructions.

SPECIFICATIONS:

Material:	Structural steel alloy	Working load:	75 lbs./34 kg.
Finish:	Powder coat	Design factor:	10:1 ratio
Color:	Black and white	Net weight:	5 lbs./2 kg.
Pan rotation:	180° horizontal swivel	Shipping weight:	6 lbs./3 kg.
Tilt rotation:	Does not apply	Pack count:	1 unit/carton

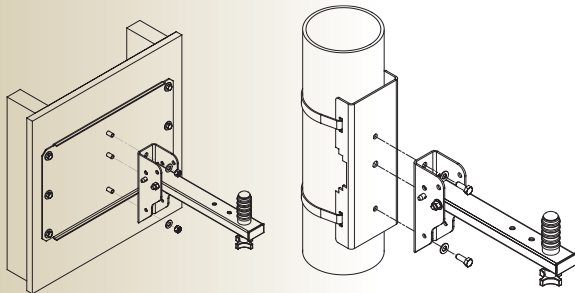
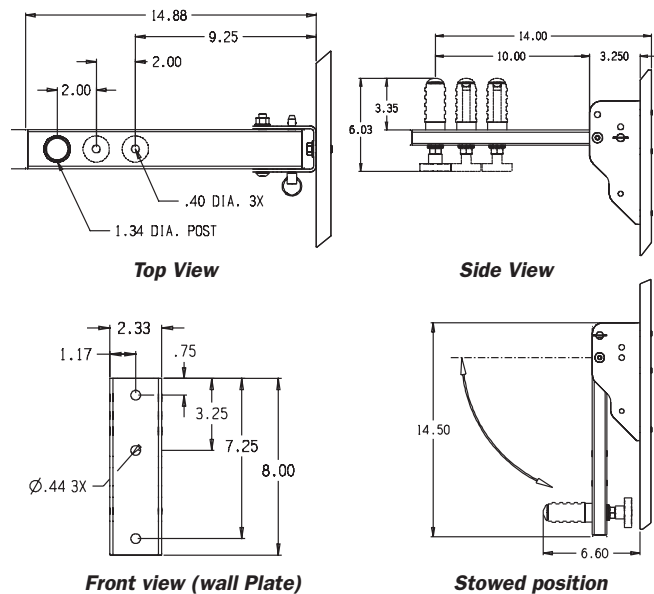
RECOMMENDED OPTIONS:

- Safety cables (see data sheet)
- Wall stud adapter (Part#: WP-16) as shown below
- PoleStar™ pole adapter (Part #: PA-010) as shown below

STANDARD FEATURES:

- Saves floor space
- Arm stows when not in use
- Allows speakers to be moved from place to place
- Up to 180° horizontal speaker rotation
- Expansion post locks inside of speaker sockets
- Post fits standard diameter sockets

DIMENSIONS:



Wall Stud Adapter WP-016

PoleStar™ Adapter PA-010



A division of:
ADAPTIVE TECHNOLOGIES GROUP
 1635 E. Burnett Street
 Signal Hill, CA 90755 USA
 PH: 562.424.1100 FX: 562.424.3520

www.allenproducts.com

WARNING: Mounting and/or suspension of audio and video equipment requires experienced professionals. Improperly installed equipment can result in property damage, personal injury and/or liability to the installing contractor.

MADE IN THE USA

ALWAYS USE SAFETY CABLES.