

PM-24-6DOWN-G

OUTDOOR SPEAKER MOUNTING SYSTEM

POLESTAR®



Loudspeaker and Yoke not included.

Galvanized UniFrame

The UniFrame is a complete mounting solution for outdoor loudspeakers. Its design combines the attributes of the PoleStar stainless "a-lacarte" version into just two models produced in steel and then galvanized to an outdoor weather rating.

The UniFrame reduces the amount of parts required for the job site and saves installation time by combining the support arm and the pole adapter together into one assembly. In addition, two stainless steel band kits are included, which only require a socket set to assemble.

The support arm is welded together for extra strength and durability. Each arm includes three attach point mounting holes at the end of the arm that allow the installer to select the desired distance between the loudspeaker and the pole.

One design accommodates pole diameters from 2" to 6" (50-152 mm) and the other from 6" (152 mm +) diameter poles and columns and larger.

STANDARD FEATURES:

- ▶ Uni-Frame assembly adds strength and reduces installation time.
- ▶ Longer pole interface increases structural capacity.
- ▶ Rugged outdoor galvanized finish to ASTM A123 and ISO1461 specifications.
- ▶ Three arm mounting points to accommodate all speaker models.
- ▶ Angled brace increases structural stability during severe weather conditions.
- ▶ Support arm may be oriented up or down for installation flexibility.
- ▶ Dual adapter may be secured to the Uni-Frame for a three-way installation.

SPECIFICATIONS:

Material: Steel Alloy

Finish: Galvanized

Color: Silver

WLL: 190 lb / 86.4 Kg single speaker

Design Factor: 10:1 ratio

*WLL = Working Load Limit

1-Way Mounting Only



For 2" Diameter Poles & Larger

Safety Anchor



Recommended Option



Rated for outdoor use.

ALWAYS INSTALL SAFETY CABLES

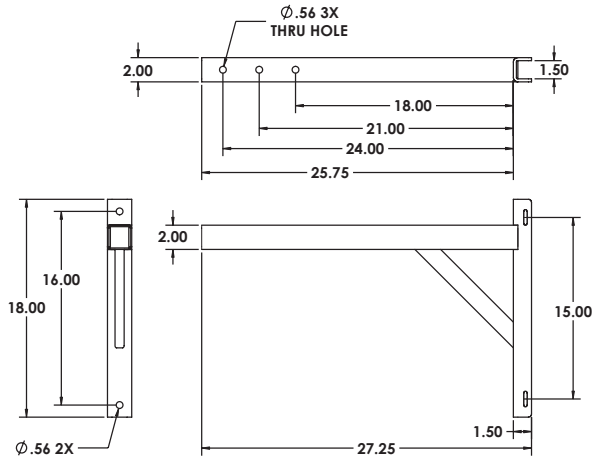
WARNING: Mounting and/or suspension of audio and video equipment requires experienced professionals. Improperly installed loudspeakers can result in property damage, personal injury and/or liability to the installing contractor.

PM-24-6DOWN-G

OUTDOOR SPEAKER MOUNTING SYSTEM

POLESTAR®

Pole Mount 2"-6" Diameter Poles



For single speaker installations only.
Comes with Band Kit, for poles 2" to 6" in diameter

Weight: 12.3 lb / 5.6 Kg

Shipping Weight: 14 lb / 6.4 Kg

Pack Count: 1 kit per carton including 20" band kit

RECOMMENDED ACCESSORIES:

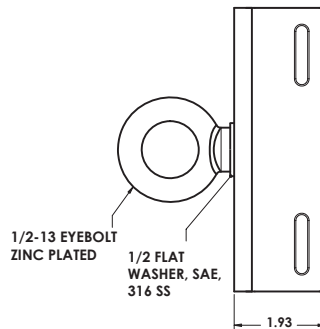
| Description | Part Number | Ship Weight | Working Load* | Safety |
|--------------------------------|-----------------|-------------------|--------------------|--------|
| Safety Anchor Mount | PM-SAFETY-6DOWN | 2.8 lb. / 1.3 Kg | 500 lb. / 227.3 Kg | 10:1 |
| 18" Safety cable with shackles | SC-188-18-SS | .55 lb. / 25 Kg | 840 lb. / 381.8 Kg | 10:1 |
| 24" Safety cable with shackles | SC-188-24-SS | .75 lb. / 34 Kg | 840 lb. / 381.8 Kg | 10:1 |
| 48" Safety cable with shackles | SC-188-48-SS | 1.05 lb. / 48 Kg | 840 lb. / 381.8 Kg | 10:1 |
| 72" Safety cable with shackles | SC-188-72-SS | 2.00 lb. / .91 Kg | 840 lb. / 381.8 Kg | 10:1 |
| 20" SS-Band Kit / pair | PM-BAND-20S | 2.00 lb. / .91 Kg | 100 lb. / 45.5 Kg | 10:1 |

SAFETY ANCHOR

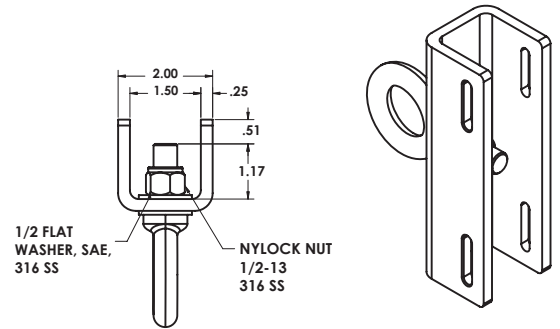
This weatherized pole anchor is a recommended option and designed for 2" and larger diameter poles or columns. This mount provides a load-rated anchor point for speakers when an anchor point is not already provided. Band Kits and cables sold separately.

SPECIFIERS TAKE NOTE:

- ▶ For Marine applications, use stainless-steel Polestar components
- ▶ Always secure objects to the mounting structure with safety cables.
- ▶ Custom designs are also available. Contact design@adapttechgroup.com



Safety anchor for 2"+ Diameter poles



PM-SAFETY-6DOWN

BAND KITS SOLD SEPARATELY
Safety Cables SOLD SEPARATELY



Rated for outdoor use.

ALWAYS INSTALL SAFETY CABLES

WARNING: Mounting and/or suspension of audio and video equipment requires experienced professionals. Improperly installed loudspeakers can result in property damage, personal injury and/or liability to the installing contractor.